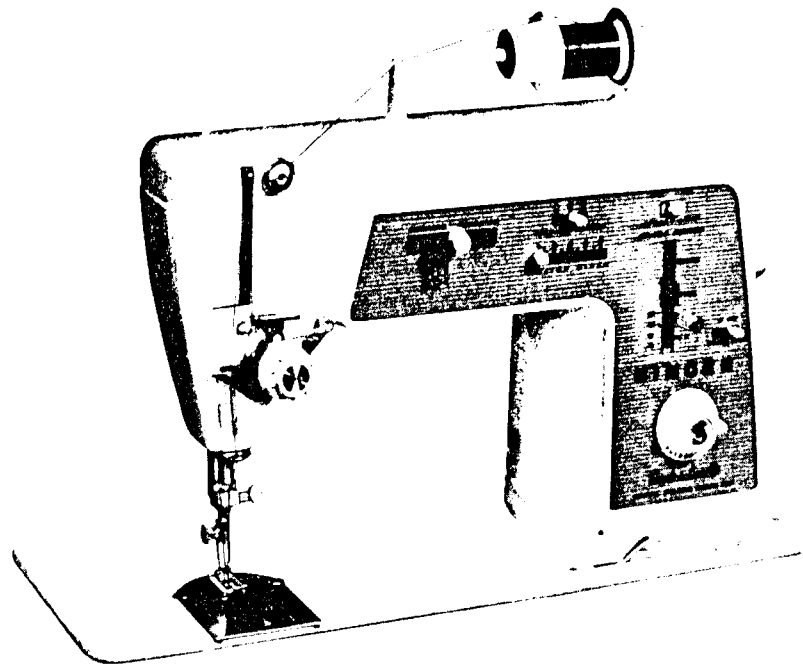


SINGER
636E3/636E6/636E7

List of Parts—Machines Nos. 636E3, 636E6 and 636E7

Machine No. 636E



ATTACHMENT SET 161924

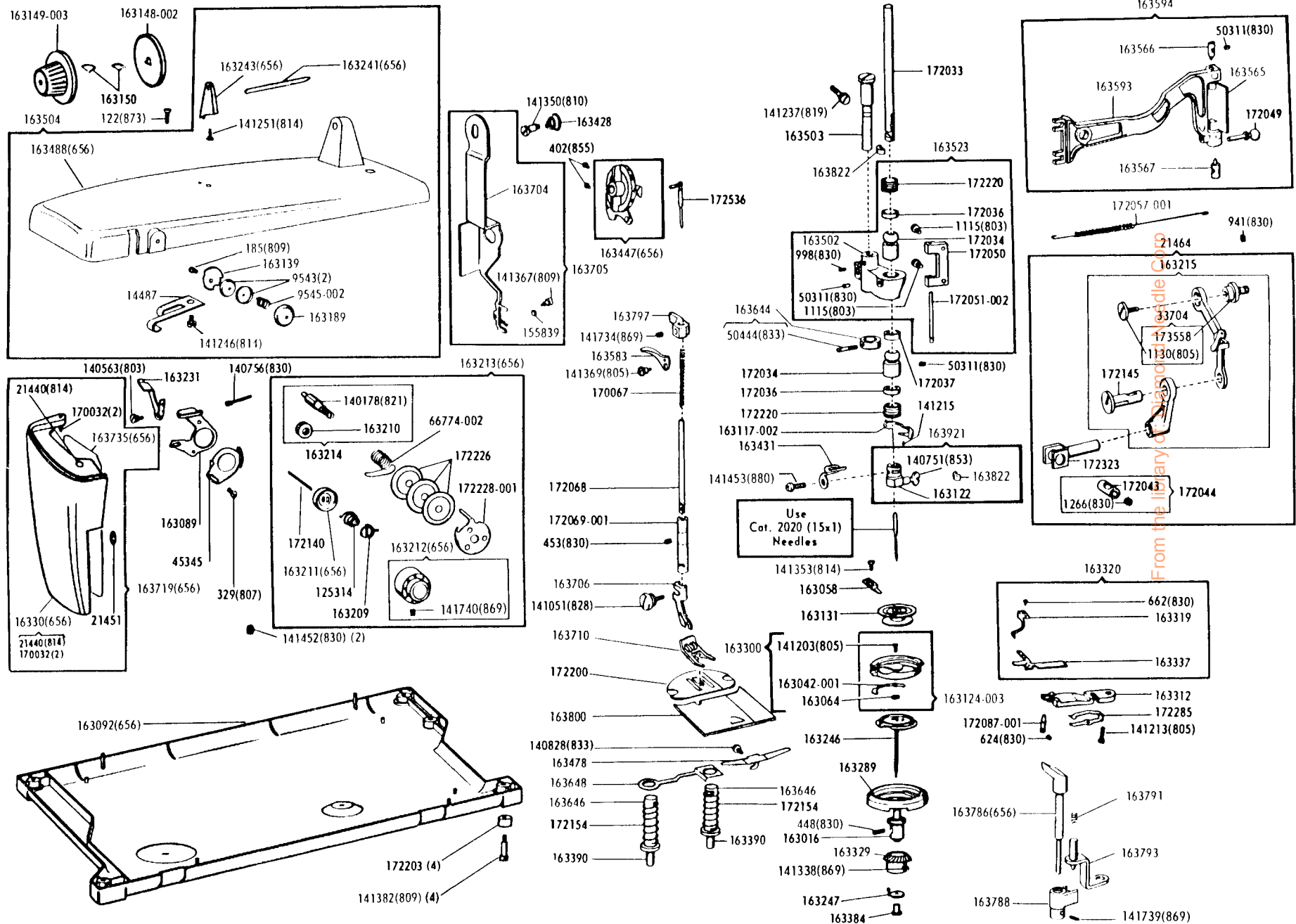
- 21906 Chainstitch Attachment Loop Retainer Disc
- 21913 Chainstitch Attachment Throat Plate
- 81200 Binder (slotted)
- 161133 Tube of Oil
- 161166 Zipper Foot
- 161168 Presser Foot for button sewing
- 161172 Seam Guide
- 161276 Lint Brush
- 161917 Presser Foot Plate (snap-on, plastic) for sewing buttonholes
- 161919 Presser Foot Plate (snap-on) for straight sewing
- 161925 Attachment Box
- 161960 Glassine Envelope containing two needle threaders, hooks and Instruction Form 21632
- 163131 Bobbin (2)
- 163242(656) Spool Pin for two needle sewing
- 163455 Chainstitch Attachment Thread Guide
- 163456 Chainstitch Attachment Set complete, Nos. 21906, 21913 and 163455
- 163483 Presser Foot for Applique
- 174529 Throat Plate for straight sewing
- Needle Cat. 2020, size 14
- Needle Cat. 2020, size 16
- Twin Needle Cat. 2028, size 14

CIRCULAR DECORATOR ATTACHMENT 161847(656)

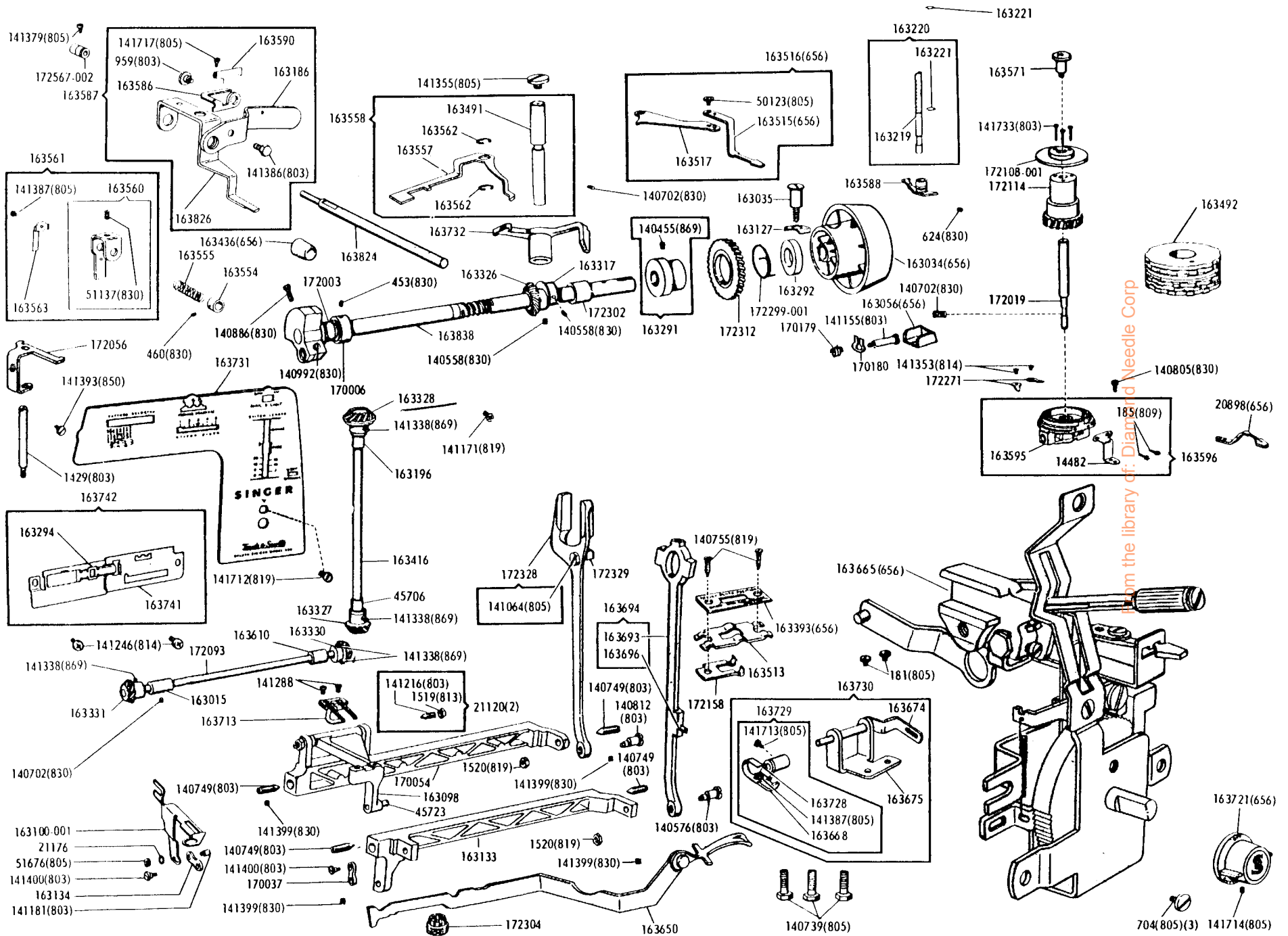
- 141347(807) Circular Decorator Attachment Thumb Screw
- 161846 Attachment Box (cardboard)
- 163399 Circular Decorator Attachment Arm
- 163407 Circular Decorator Attachment Base with 141347(807)
- 163409(656) Circular Decorator Attachment Knob
- 163437 Circular Decorator Attachment Arm Catch Spring



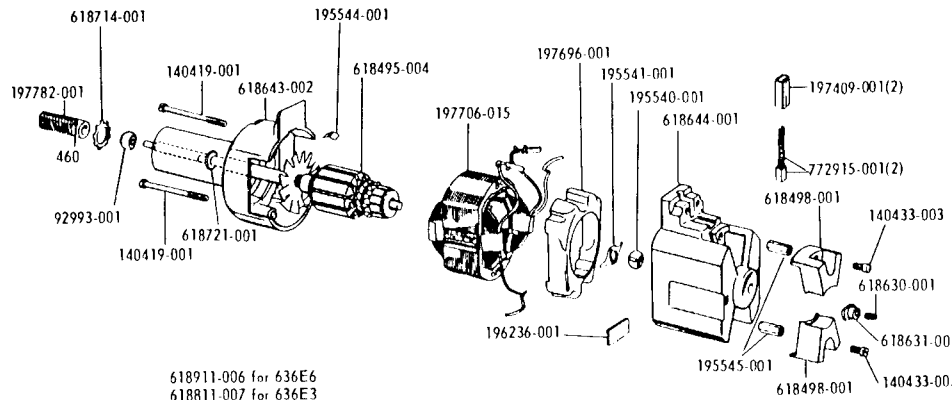
List of Parts—Machines Nos. 636E3, 636E6 and 636E7



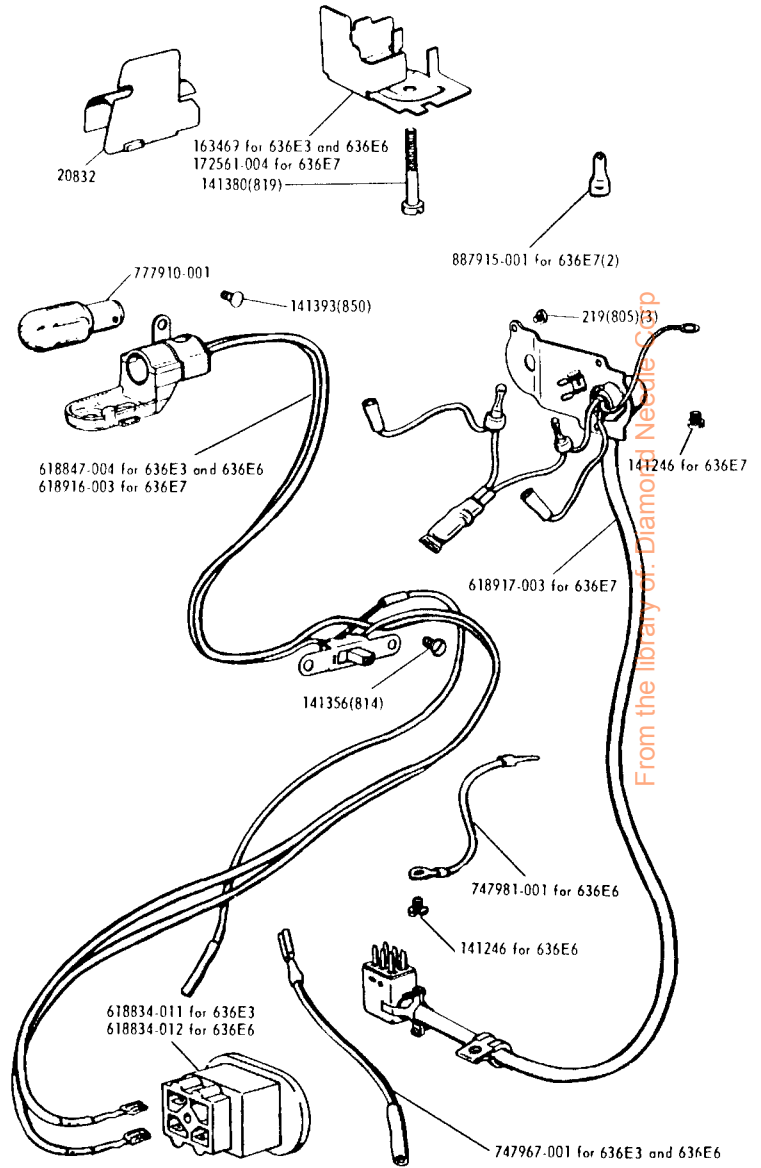
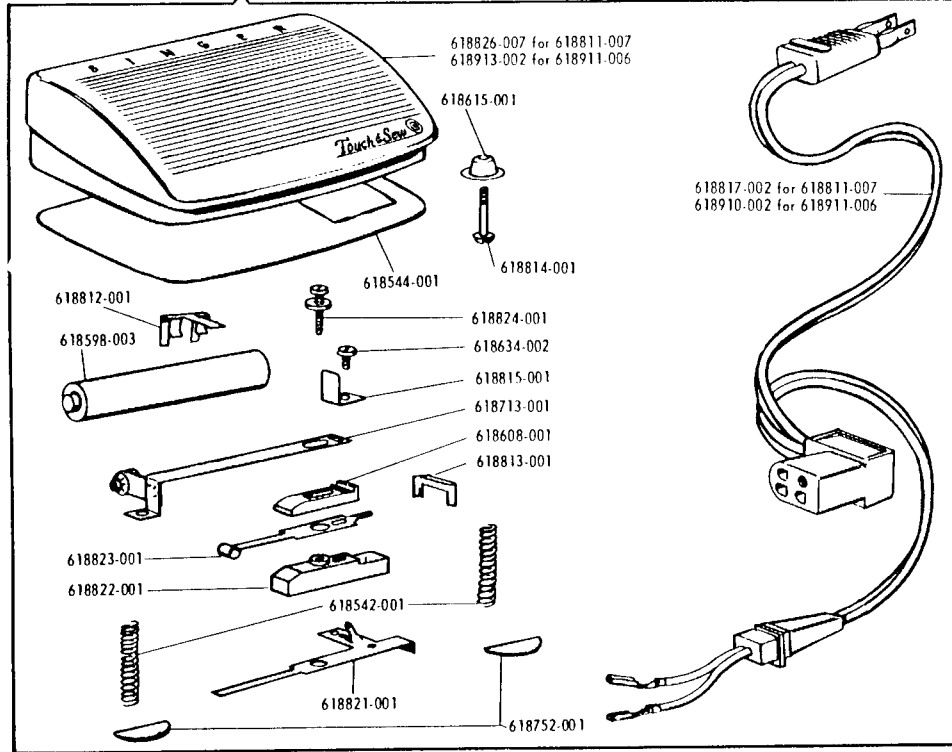
List of Parts—Machines Nos. 636E3, 636E6 and 636E7



Electrical Parts—Machines Nos. 636E3, 636E6 and 636E7



618911-006 for 636E6
 618911-007 for 636E3



From the library of Diamond Needle Supply

